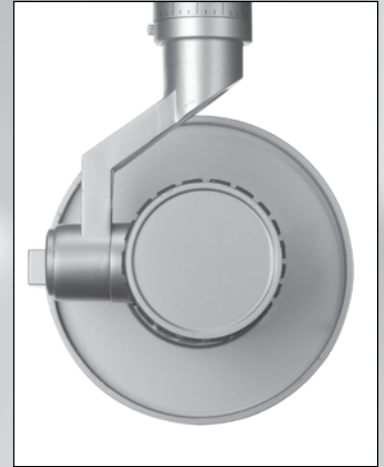




Heavy duty die-cast aluminum construction.



Closed back eliminates light leaks.



Lockable, adjustable 350° horizontal and 90° vertical aiming.



Aesthetically concealed wiring.

VAMP SPOTLIGHTS

The new W2 track spot series sports an aesthetic developed specifically for the performance architectural market: a tasteful fusion of smooth cylindrical forms and black silicone accents. Captive accessory holders accommodate two filter mediums. The ten lamp options include MR16, metal halide and incandescent PAR lamps. See us at Lightfair, booth #521.



ARCHITECTURAL
LIGHTING

Tel: 866.788.2100 W2lighting.com